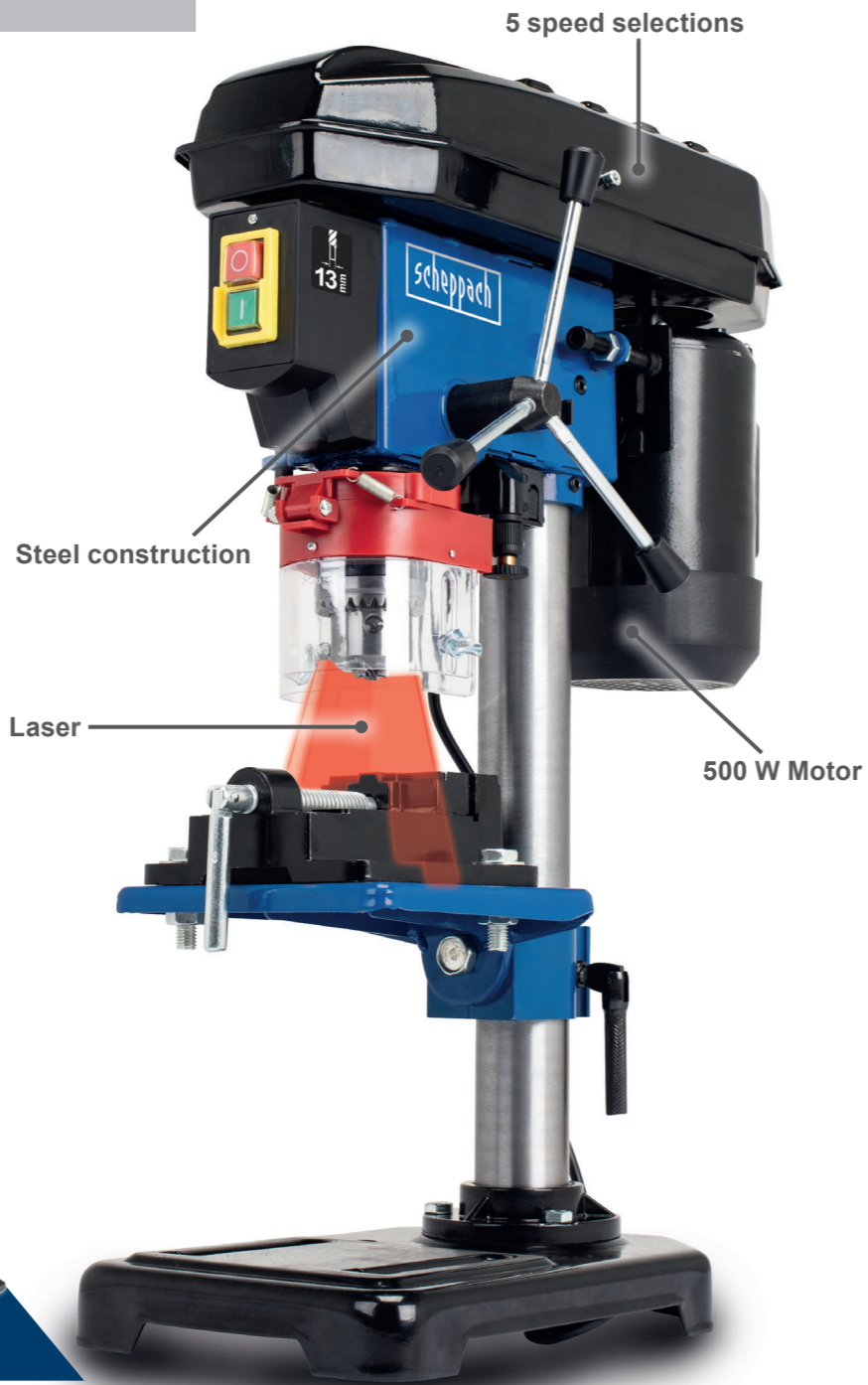
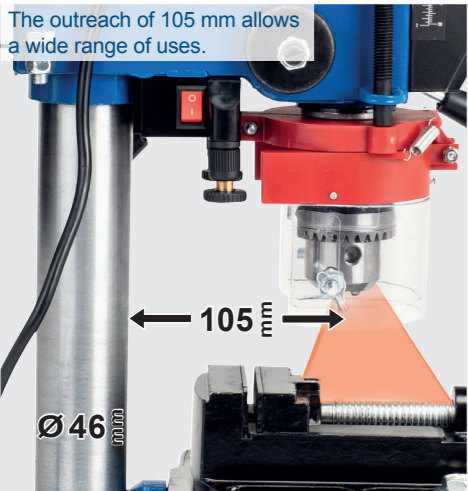


BENCH DRILL

- 5 speeds for timber, metal and all conventional plastics
- Drill chuck capacity from 1.5 to 13 mm
- Robust steel construction
- High-performance 500 W motor
- Integrated laser for precise drilling results
- 250 mm max. distance between chuck and frame foot
- 170 mm max. distance between chuck and table
- Stable 190 x 290 mm base plate



SPECIFICATIONS

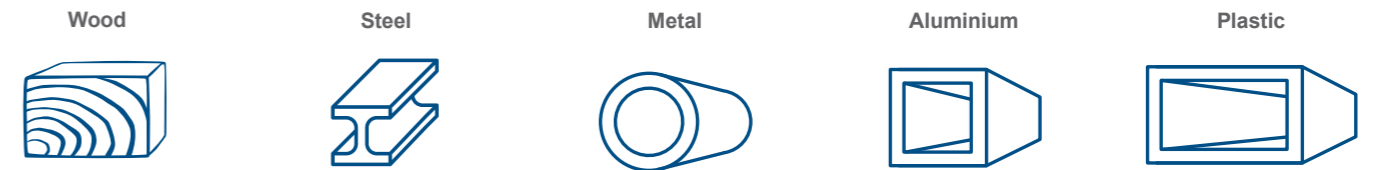
| | |
|----------------------|--------------------|
| Dimensions L x W x H | 435 x 220 x 600 mm |
| Table size | 160 x 160 mm |
| Table tilt | 45° – 0 – 45° |
| Speed range | 600 – 2650 rpm |
| Chuck capacity | 1.5 – 13 mm |
| Max. chuck to table | 170 mm |
| Max. chuck to base | 250 mm |
| Motor | 230 – 240 V~ |
| Engine power | 500 W |

LOGISTICAL DATA

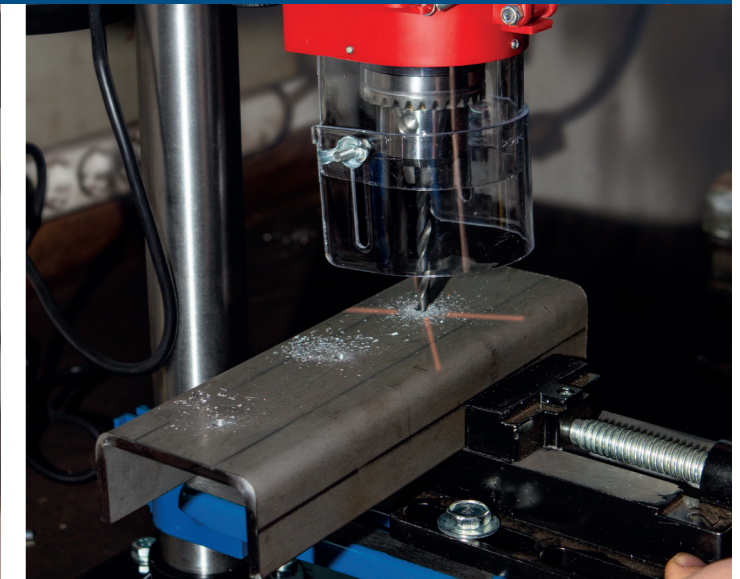
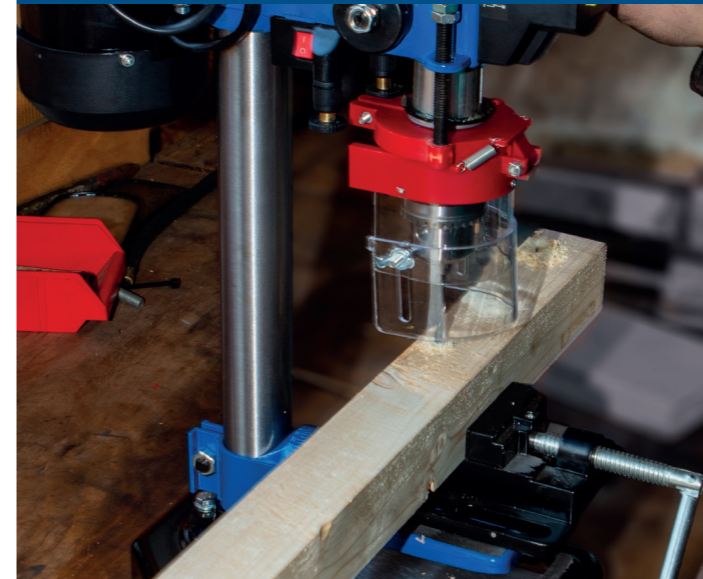
| | |
|----------------------|--------------------|
| Weight net / gross | 13.5 / 15 kg |
| Packaging dimensions | 460 x 380 x 250 mm |
| Article number | 5906810901 |
| Barcode | 4046664068808 |
| 20 Container | 640 pcs |
| 40 Container | 1380 pcs |
| 40 HQ Container | 1500 pcs |



EXAMPLES OF USE
SUITABLE FOR PRECISE DRILLING IN



UNIVERSAL AND VERSATILE USE



PRODUCT DETAILS

| | |
|---|-----------------------------------|
| <p>Ergonomic handle</p> | <p>Precision laser</p> |
| <p>Variable speed 600 – 2650 rpm can be adjusted in 5 steps</p> | <p>Belt drive</p> |
| <p>Drilling table can be adjusted from +45° to -45°</p> | <p>Chuck capacity 1.5 – 13 mm</p> |
| <p>Heavy weight ensures sturdy positioning</p> | <p>Powerful 500 W motor</p> |

The tried-and-tested gearing principle using the chuck key guarantees high clamping force.



The drilling depth can be specified precisely using a scale so it can be reproduced.

